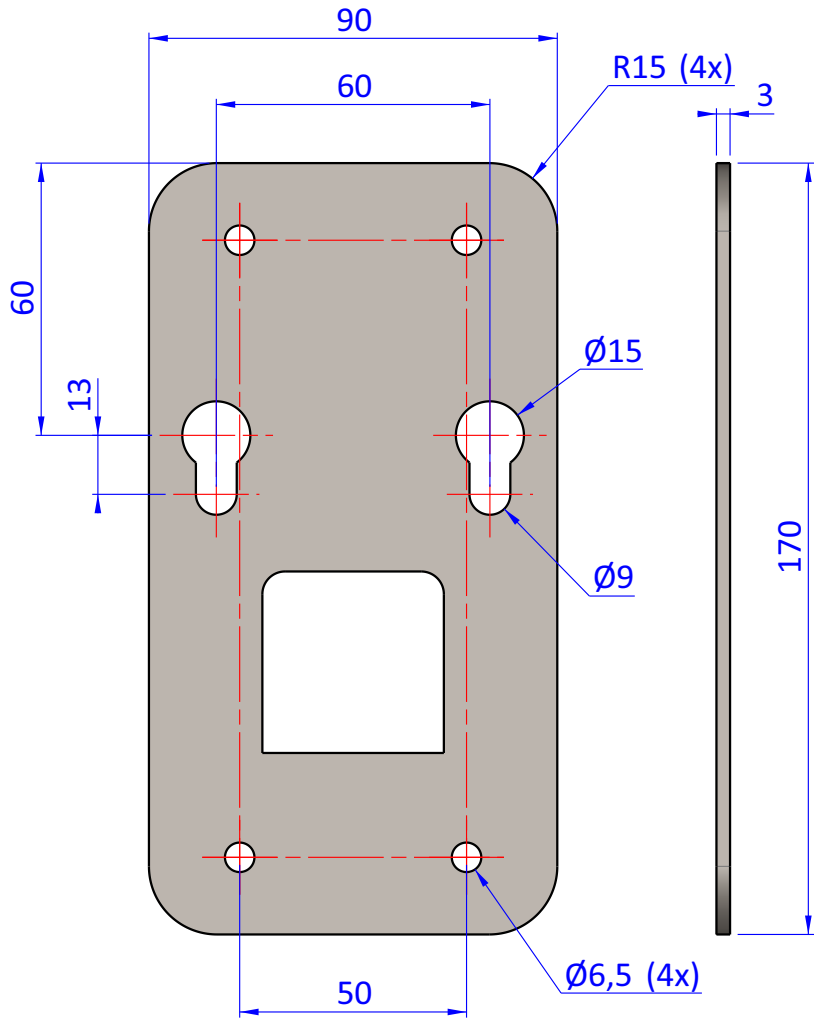
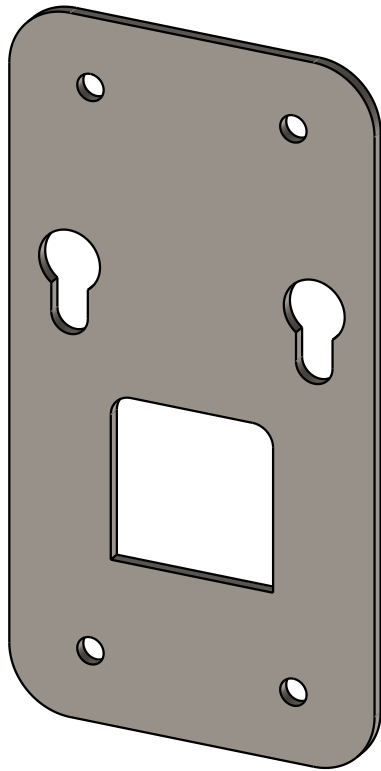
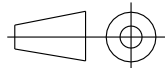


THE PROPERTY OF THE DRAWING IS ESTABLISHED BY LAW. IT IS FORBIDDEN TO PRODUCE OR SHOW IT TO THIRD PART. WITHOUT A WRITTEN AGREEMENT.



Mat: INOX



DESIGNED FROM

FPS Automation

REVIEW

A

DATE

08/07/2021

WEIGHT

0,307kg

CODE

CA.01.01.015.F

Format A4

UNI 936-76

GENERAL TOLERANCE

UNI - ISO 2768

CLASSE f

DESCRIPTION

CA.01.01.015.F